



STARK

STRONGLY CHOSEN

STARK RELAX DIAGONAL FLOWS

SNOW PLOWING



- ▶ The Strongest choice for plowing roads and areas
 - ▶ Thanks to Patented RELAX blade system plowing is safe and efficient
 - ▶ Excellent snow throwing features and an option for a snow stopper
- The **RELAX** blade system keeps blades locked, resulting in smooth plow trace and considerably less formation of packed snow.
 - With **RELAX** blade system you can remove packed snow by pushing the plow against the ground with higher force
 - The **RELAX** blade system and a wing's overload valve protects the driver, the base machine and plow itself from damage when collision happens.
 - **FLOATING FRAME** causes the plow to follow closely against the ground. Sliding plates and the positioning of the frame reduces bouncing while working.
 - Snow dust guider in front of the wing guides snow away from the windshield. Its hazard decal makes the plow more visible to others. This feature adds efficiency and safety for the plowing work.
 - Snow stopper makes clearing crossroads more efficient. Snow stopper can be retrofitted to the plow.
 - **STARK FIT** - tool attachment system enables fast changing between different base machines. There is a wide range of different adapters, for example 3P / Volvo BM -combined adapter



STANDARD EQUIPMENT

- ▶ Led lights and reflectors
- ▶ Rotating support plates
- ▶ Bracket for snow stopper
- ▶ Casted PUR snow dust guide

+ OPTIONAL EQUIPMENT

- ▶ Snow stopper
- ▶ Support wheels
- ▶ Special paint
- ▶ Hard metal blade sets

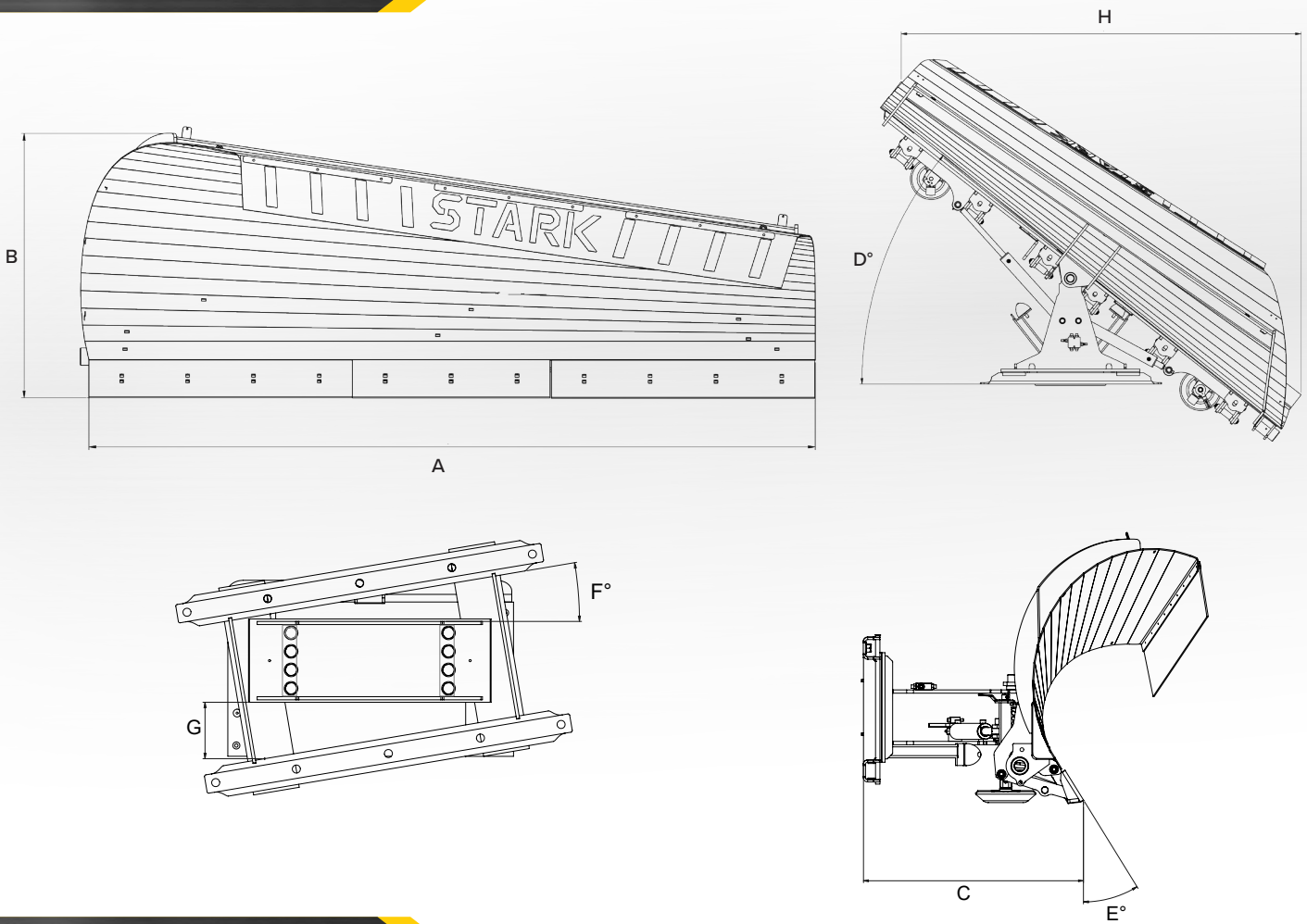


www.stark.fi
STARK / Lametal Oy



STARK RELAX DIAGONAL PLOWS

TECHNICAL DRAWINGS



TECHNICAL DIMENSIONS

Product	Width (mm)	Wing height (mm)	Width (mm)	Distance from the fitting (mm)	Blade angle (°)	Floating angle (°)	Floating height (mm)	Working width with turning angle (mm)	Weight (kg)
	A	B	C	D	E	F	G	I	K
D 3400 R	3400	1150	1000	38	32	12	190	2680	1100
D 3700 R	3700	1150	1000	38	32	12	190	2920	1300

* Weights incl. road blades and fittings. The weight varies depending on the fitting / equipment of the plow