



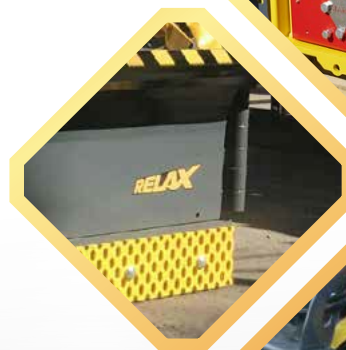
STARK



STARK RELAX U-PLOW

SNOW CLEARING 

- ▶ Suitable for 3-10 tons base machines
- ▶ Patented technologies make STARK U -plows the most efficient and versatile
- The RELAX blade system keeps blades locked resulting in smooth plow trace and considerably less formation of packed snow.
- Patented SMOOTH MOTION wing turning system with two hydraulic cylinders enable extremely precise, controlled and wide range of motion. The plow is easy to use and work result is excellent.
- STARK U-plow provides unique maneuverability of snow. Snow can also be collected by reversing with the U-plow. Plowing snow on the embankment is efficient and effortless.
- FLOATING FRAME closely follows the ground. The sliding plates and the positioning of the flotation reduce bouncing of the plow while working.
- STARK FIT tool attachment system enables quick change between different base machines.
- Multiple hydraulic solutions are available for STARK U-plows.
- For example, with the RELAX four-action valve, the wings of the U-plough can be moved simultaneously.



STANDARD EQUIPMENT

- ▶ RELAX blade system, SMOOTH MOTION, FLOATING FRAME and STARK FIT technologies
- ▶ Adjustable support legs
- ▶ Rotating support plates
- ▶ Edge wear pads
- ▶ Reflectors, hazard taping
- ▶ Led lights set

+ ACCESSORIES

- ▶ Multiple blade options
- ▶ Custom paint
- ▶ Multiple valve options
- ▶ Automatic central lubrication system

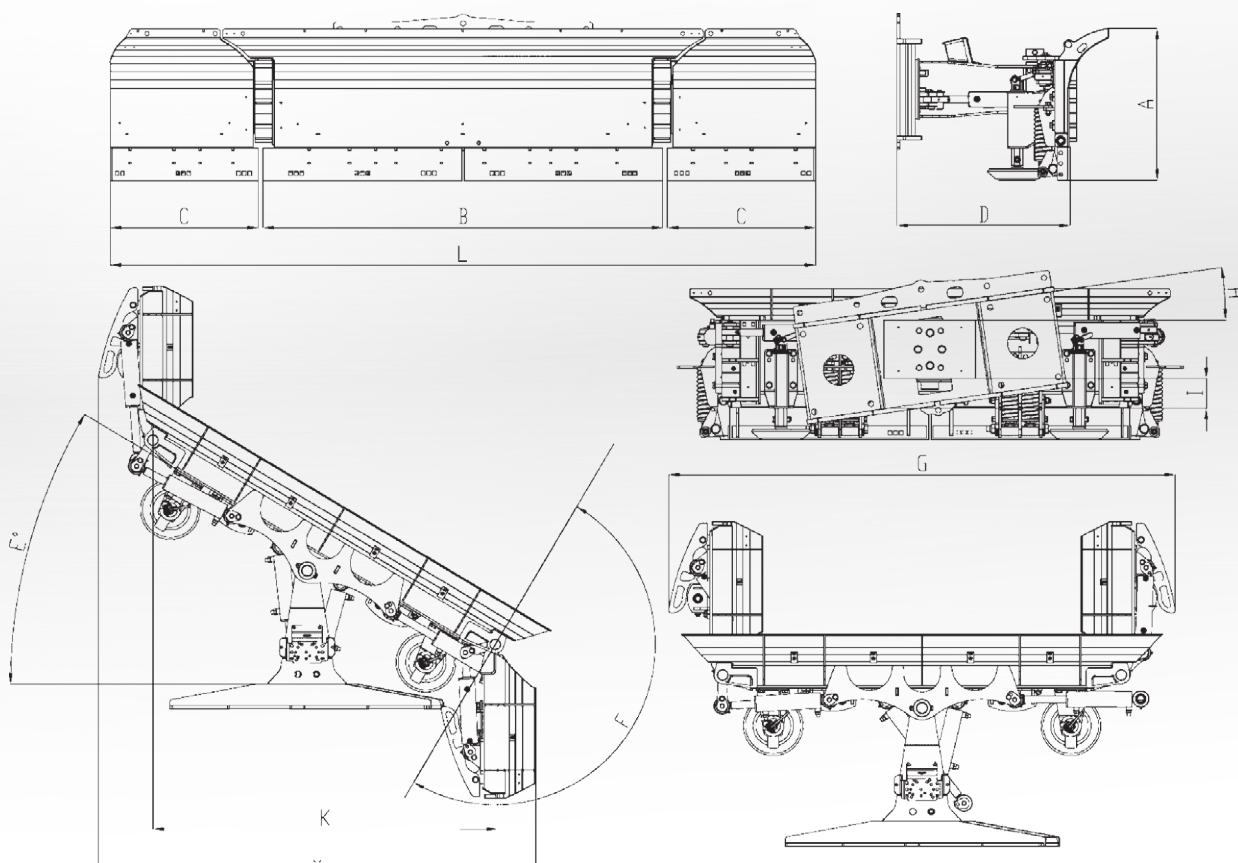


www.stark.fi
STARK / Lametal Oy



Lametal Oy reserves the full rights to change at any time without obligation providing equipment, prices and technical solutions, without prior notice.

TECHNICAL DRAWINGS



TECHNICAL DIMENSIONS

Product	Wing max. height (mm)	Centre section width (mm)	Wing width (mm)	Distance from fitting (mm)	Turning angle \pm (°)	Turning angle of wings (°)	Wing width in U-formation (mm)	Tilt angle (°)	Flotation height (mm)	Min. width with turning angle (mm)	Min. working width for turning angle (mm)	Blade Length (mm)	Weight (kg) *
	A	B	C	D	E	F	G	H	I	J	K	L	
U2950/1500R	700	1500	700	800	38	180	2030	8	150	1890	1200	2950	770
U3250/1800R	700	1800	700	800	38	180	2330	8	150	2010	1450	3250	820
U3750/1800R	900	1800	900	800	38	180	2350	8	150	2010	1470	3750	880
U4200/2400R	900	2400	900	760	38	180	2750	13	180	2350	1920	4325	1140
U4800/2400R	900	2400	1200	760	38	180	2750	13	180	2350	1920	4930	1220

* Weight includes blades and fittings. Weight depends on the fitting type/plow accessories