



STARK



STARK SNOW BUCKETS

SNOW CLEARING 

- ▶ The professional choice for loading snow and other light materials
- ▶ Designed for efficiency and durability

- Rigid, robotic welded housing construction
- Lipstick 500 HB Wear Steel
- Thanks to the round bottom, the bucket fills up well



STANDARD EQUIPMENT

- ▶ Cutting edge made of wear steel (500 HB)
- ▶ Numerous fitting options.

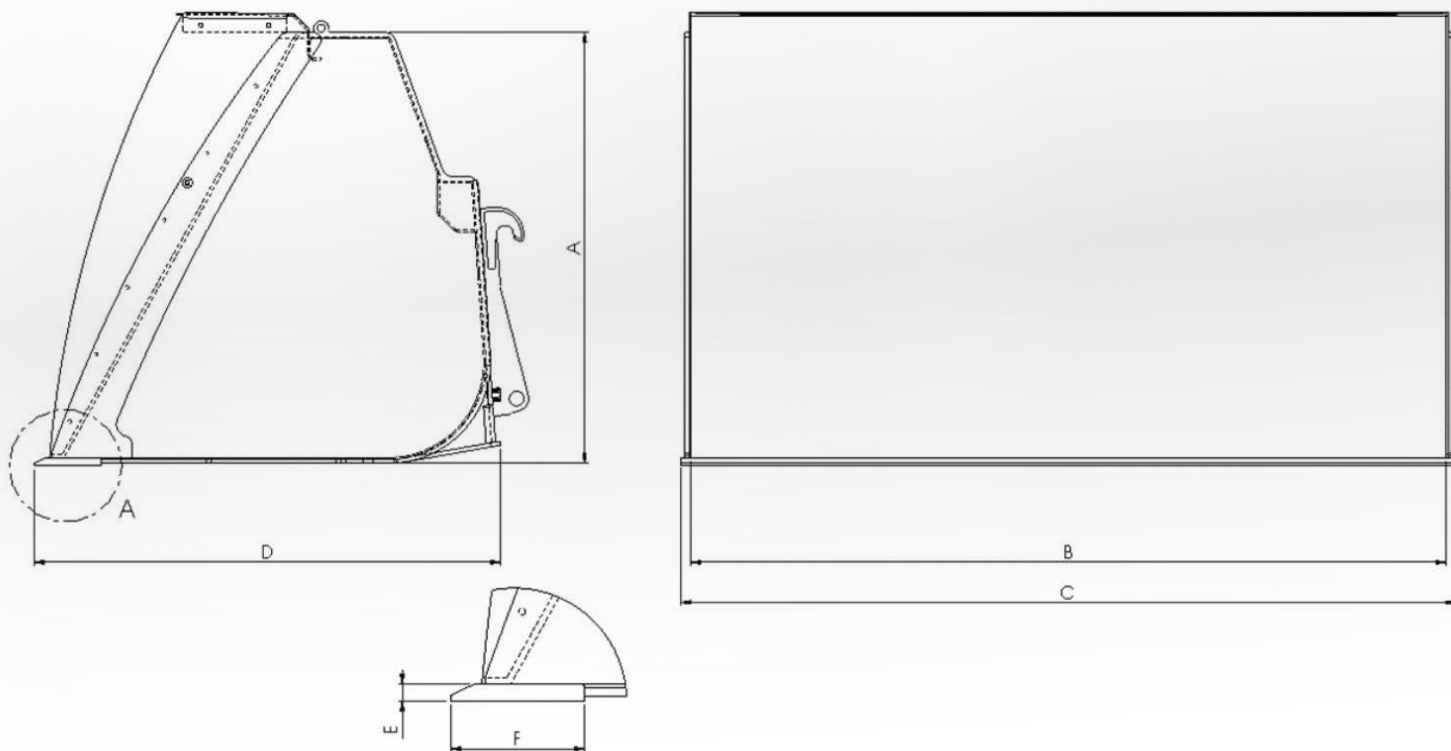
+ ACCESSORIES

- ▶ Wood chipboards (LK 5010)



Lametal Oy reserves the full rights to change at any time without obligation providing equipment, prices and technical solutions, without prior notice.

TECHNICAL DRAWINGS



TECHNICAL DIMENSIONS

Product	Bucket height (mm)	Bucket width (mm)	Max. width (mm)	Bucket depth (mm)	Lip plate	Weight (kg) *	Water volume (m3)	Bucket heap volume (m3)	Max. load (kg)
	A	B	C	D	E x F	F	G	G	G
SBU 1500	1080	1750	1820	960	16 x 150	360	1,1	1,5	1500
SBU 2500	1270	2300	2390	1170	20 x 200	510	2	2,5	2500
SBU 4000	1410	2540	2610	1410	25 x 250	840	3	4	4000
SBU 5000	1460	2540	2610	1630	25 x 250	960	3,8	5	5000
SBU 6000	1610	2840	2920	1740	25 x 250	1200	5	6	6000
SBU 4000 hakelaidat	1480	2540	2610	1410	25 x 250	960		4,5	4500
SBU 5000 hakelaidat	1520	2540	2610	1630	25 x 250	1090		5,1	5100
SBU 5700 hakelaidat	1680	2840	2920	1740	25 x 250	1340		6,6	6600

* Weight includes blades and fittings. Weight depends on the fittings type and the accessories.