



STARK



STARK REAR GRADER

LEVELING 

- ▶ Rear grader with wide swivel angles and comprehensive equipment for agricultural and general use
- ▶ Optimal design and weight provide excellent results

- Stark rear grader is well-equipped for every season.
- Designed for levelling and plowing of roads and yards.
- Optimal blade angle ensures that any material can be moved and taken off easily.
- Working is easy with flexible rotation of the boom. This is helpful for levelling road edges and moving snowbanks, for instance.
- Hydraulic rotation of the wing and the boom allow smooth working in any environment.
- After a crash, the overload valve returns the grader in the correct position.
- Rotating flat/toothed blade.
- Standard blade size 2 x 1,525 mm (305 mm).



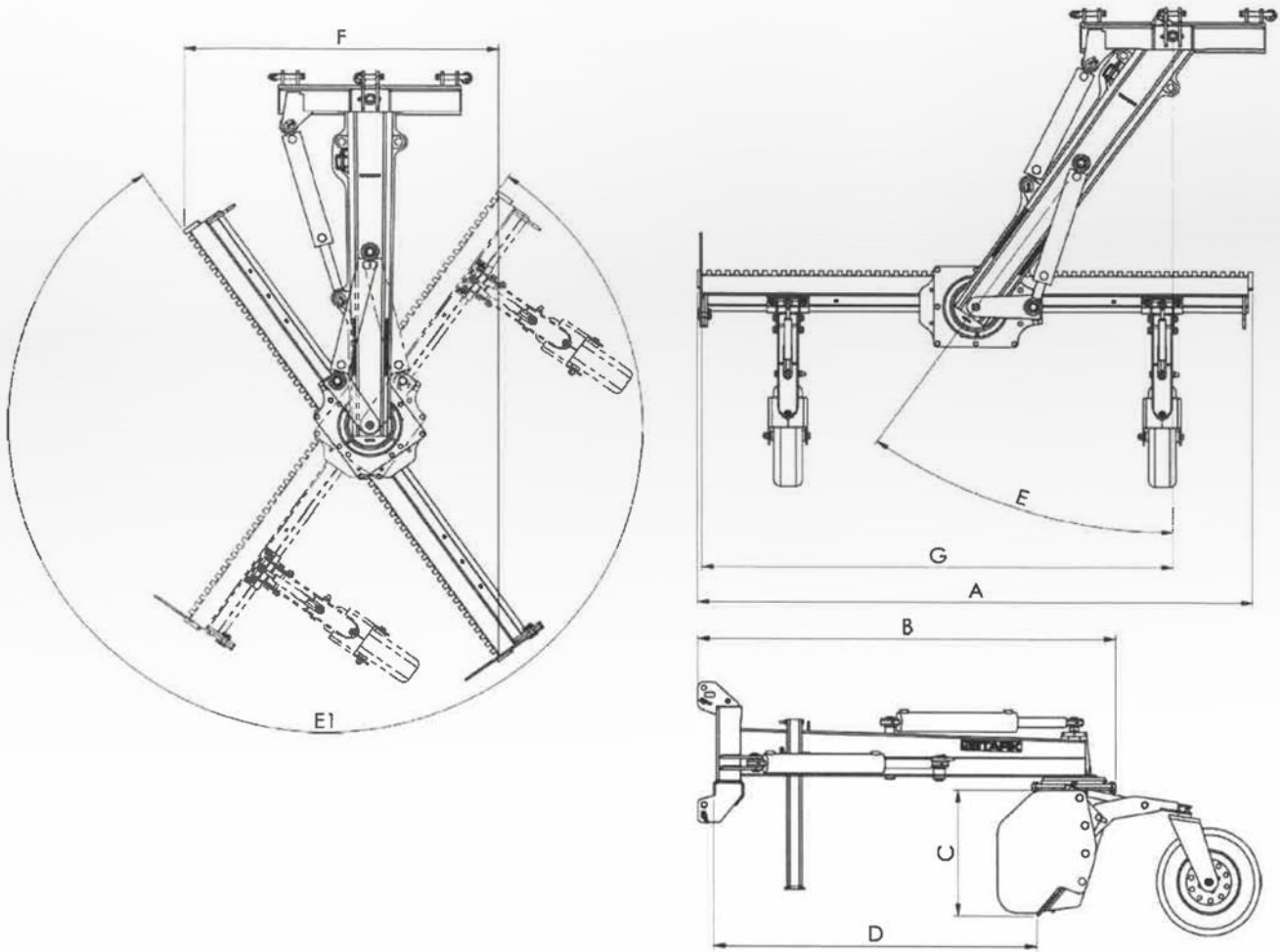
+ ACCESSORIES

- ▶ Mechanical and rotating supporting wheels
- ▶ Snow stopper with bolt attachment
- ▶ Various blade options



Lametal Oy reserves the full rights to change at any time without obligation providing equipment, prices and technical solutions, without prior notice.

TECHNICAL DRAWINGS



TECHNICAL DIMENSIONS

Product	Max width (mm)	Length (mm)	Plate height (mm)	Distance from the fitting (mm)	Turning angle +/- (°)	Wing turning angle +/- (°)	Min working width (mm)	Max side reach (mm)	Weight (kg)*
	A	B	C	D	E	E1	F	G	
RG 3050	3050	2280	690	1790	35	290	1780	2610	680

* Weight may vary depending on equipment