

STARK RSW -BOTARY SWEEPERS, S-MODELS

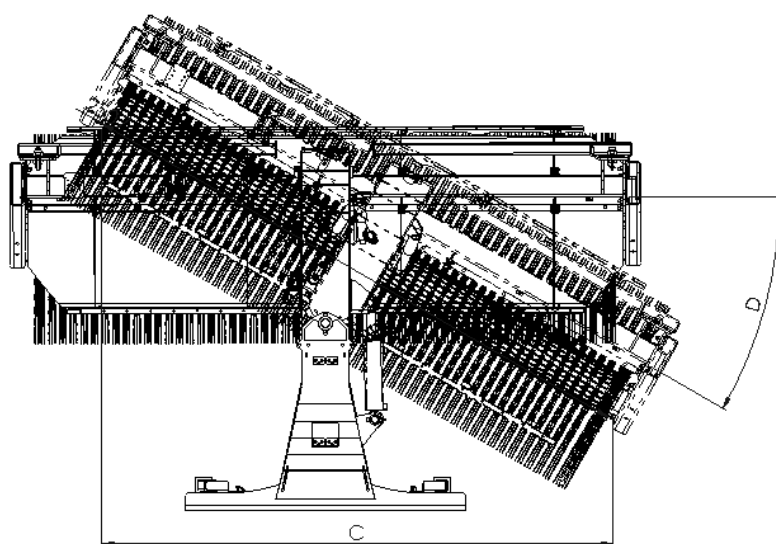
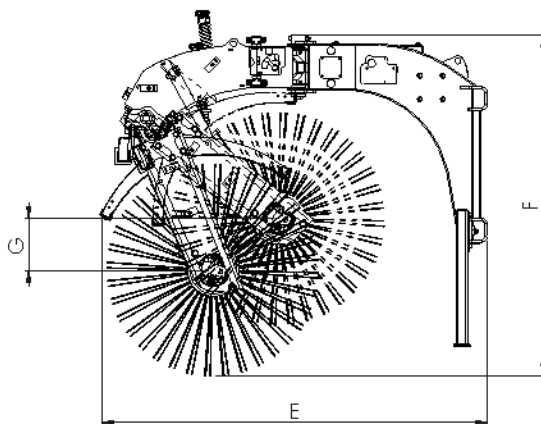
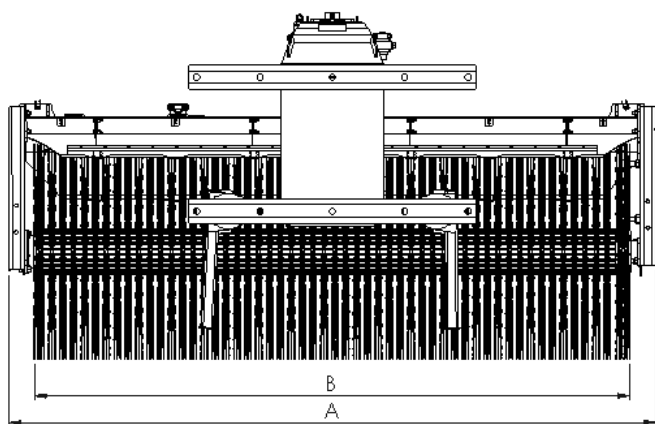
- Powerful, versatile and agile brush device for year-round use
- The hydraulic motor is integrated inside the brush roller for protection against impacts



- 900 mm lamellas, vertical (250 mm) and horizontal float (12 °) guarantee a finished brushing mark even on uneven work sites.
- The large 30 ° turning angle allows brushing right next to walls, railings, etc. 900 mm lamellas are the most cost-effective option.
- A separate turning frame keeps the brush roller straight at all turning angles.
- The coupling with a buffer protects the hydraulic motor of the brush roller in the event of start-up and collisions.
- The spring and gas shock absorbers hold the brush roller firmly to the surface to be brushed.
- The bolt-on STARK FIT adapters can be quickly replaced according to the quick coupler of the basic machine.
- Accessories: High-pressure dust binding system with hydraulic Dynaset water pump, directional high-pressure nozzle hose, low-pressure watering system with 12 or 24V water pump, directional low-pressure nozzle hose, 2- or 4-hose hydraulics, reverse valve 12 or 24V for brush roller.



STARK attachments have been manufactured for over 40 years



Product	Max. width (mm)	Working width (mm)	Brushing width with turning angle (mm)	Turning angle \pm ($^{\circ}$)	Length (mm)	Height (mm)	Max. Floating (mm)	Min. oil absorption (l/min)	Max. oil flow (l/min)	Return line max. counterpressure (bar)	Weight (kg)
	A	B	C	D	E	F	G				
RSW 2500 S	2700	2500	2200	30	1650	1450	250	55	120	120	580
RSW 3000 S	3200	3000	2700	30	1650	1450	250	55	120	120	620

* Note! Weight may vary depending on fitting type/brush accessories

** Available with a flow limiter, if the output is more than 120 l/min